

TBS01301B

TBW01018B
(5Modes)

TBW01017B

- ①TBS01301B
- ②TBW01018B
- ③TBW01017B



FEATURES

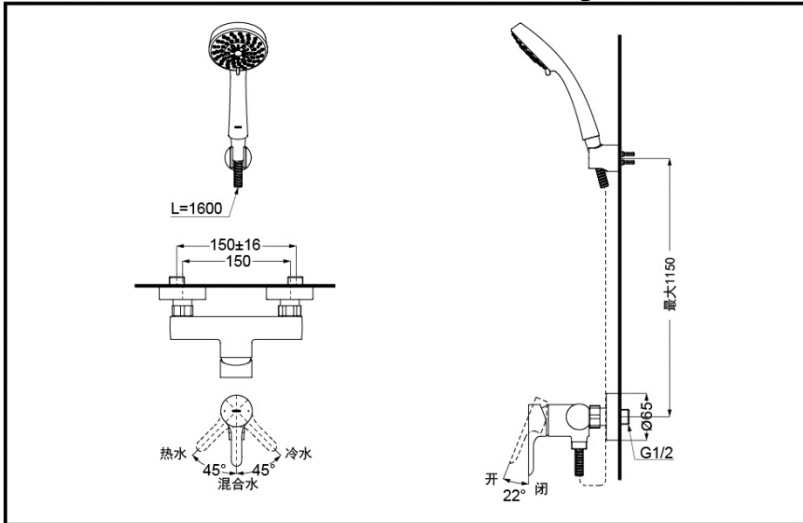
- Elegant appearance.
- Beautiful curves reveal elegant taste.
- Easy installation and usage.

SPECIFICS

Water Inlet Requirement :
0.05MPa(Dynamic Pressure)~1.0MPa(Static Pressure)

Water Efficiency :
Grade2:TBW01018B
Grade3:TBW01017B

TBS01301B+TBW01018 Wall-Mount Single-Lever Shower Mixer



*TOTO(CHINA) CO.,LTD. All rights reserved.

Others

Series : LB
Recommend fittings : L series
Hand Shower